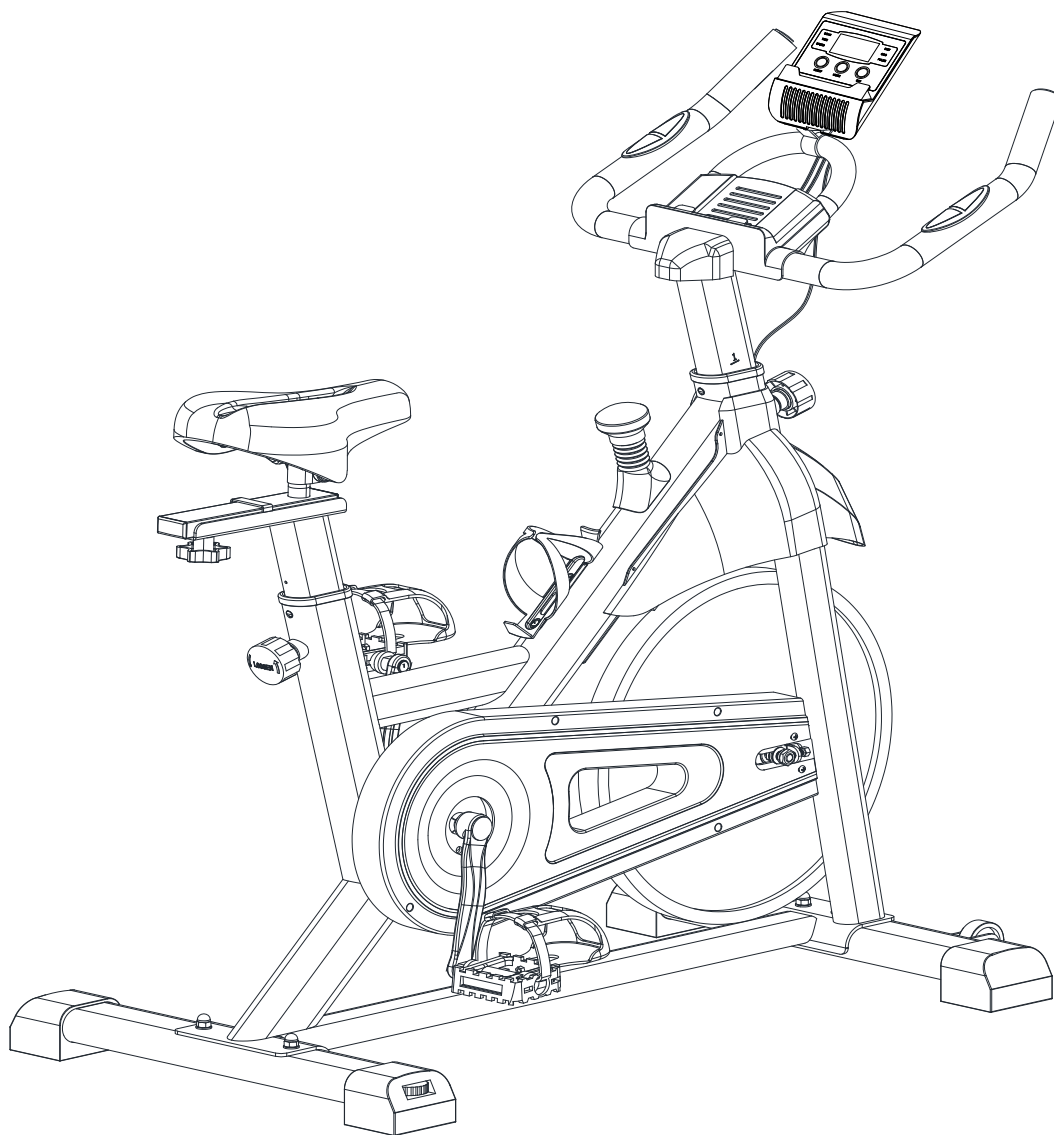




# ASSEMBLY MANUAL

# VOLT



**Record serial number**

*Elite Volt Spin Bike*

Thank you for purchasing the **Elite Volt Spin Bike**.

For over 20 years, Elite Fitness™ has been New Zealand's largest supplier of fitness equipment. Our aim and vision is to provide you Elite™ branded products, tested to the highest standard for quality and biomechanics at the best possible price.

Please read through this manual to familiarise yourself with the operation of your new **Elite Volt Spin Bike**. Doing so will help to insure that you get the most out of your machine, enjoying safe and effective workouts ahead.

Even though we go to great efforts to ensure the quality of each product we produce, occasional errors and or omissions do occur. In any event should you find this product to have either a defective or a missing part, please contact us for a replacement.

## **SERVICE & WARRANTY**

For service and warranty assistance please visit:

**[www.elitefitness.co.nz/service](http://www.elitefitness.co.nz/service)**

Online forms are available for Service, Warranty and Parts requests.

(09) 258 9067

### **Elite Fitness HQ**

28 Morrin Road  
St. Johns  
Auckland, New Zealand

[info@elitefitness.co.nz](mailto:info@elitefitness.co.nz)  
0800 2 438 348  
[www.elitefitness.co.nz](http://www.elitefitness.co.nz)

## **CONTENTS**

---

Important Safety Instructions	<b>3</b>	Care and Maintenance	<b>17</b>
Product Specifications	<b>4</b>	Maintenance Log	<b>18</b>
Assembly Instructions	<b>5</b>	Limited Warranty	<b>19</b>
Exploded Diagram	<b>13</b>	Warm-Up Exercise	<b>20</b>
Console User Instructions	<b>14</b>	Training Stages Parts	<b>21</b>
Setting your Spin Bike Up	<b>15</b>	Parts List	<b>22</b>

# IMPORTANT SAFETY INSTRUCTIONS

---

The following definition applied to the word “WARNING” when used in this manual:



Used to call attention to POTENTIAL hazards that could result in personal injury or loss of life.

## READ ALL INSTRUCTIONS BEFORE USING THE MACHINE

This product has been designed for home use only. Product liability and warranty conditions will not be applicable to products being subjected to professional use or products being used in a commercial environment. e.g Gym Centre

This exercise machine is built for optimum safety. However, certain precautions apply whenever you operate a piece of exercise equipment. Be sure read the entire manual before you assemble or operate your machine. In particular, note the following safety precautions.

- Read all instructions in this manual before using this equipment.
- Use the machine only for its intended use as described in this Manual.
- Inspect and tighten all the loose parts before this equipment is used.
- Keeps hands away from moving parts.
- Keep children and pets away from the machine at all time. **DO NOT** leave children unattended in the same room with the machine.
- Before using the machine to exercise, always do stretching exercises to properly warm up.
- Inspect the machine before each use; make sure all of the connections are tightly secured.
- Only one person at a time should use the machine.
- If the user experiences dizziness, nausea, chest pain, or any other abnormal symptoms, **STOP** the workout at once. **CONSULT A PHYSICIAN IMMEDIATELY.**
- Position the machine on a clear, levelled surface. **DO NOT** use the machine near water or outdoors.
- Always wear appropriate workout clothing when exercising. **DO NOT** wear robes or other clothing that could become caught in the machine. Sporting shoes are recommended when using the machine.
- Do not place any sharp object around the machine.
- Disabled persons should not use the machine without a qualified person or physician in attendance.
- Never operate the machine if the machine is not functioning properly.

- Only carry out training work on the equipment when it is in perfect working order. Only use original spare parts in the event of a repair.
- Do not use strong solvents for cleaning, and only use the tools supplied, or suitable ones of your own, for any repairs that may be required. Please dispose of the packaging and any parts that have to be replaced subsequently (all parts for the unit) at suitable collecting points or containers with a view to saving the environment.
- DO NOT extend the seat stem past the warning line “Max” when adjusting the seat height.
- Not for therapeutic use.

**WARNING:** Before beginning any exercise program, consult your physician. This is especially important for persons with pre-existing health problems. The seller assumes no responsibility for personal injury or property damage sustained by or through the use of this product.

**SERVICE HINTS:** The high quality standard of this product only will be kept if you on a regular basis check all screw-connections and moving parts on proper fitting. Damaged parts have to be changed immediately. During the time of repair the product must not be used by anybody.

**IMPORTANT HINTS:**

- A) This product has been tested in accordance with the requirements of EN 957-1/A1, EN 957-5, standard, Class HA (HOME USE). The maximum load is limited to 120KGS.
- B) Parents should be aware of the risk factor of young children playing on fitness equipment unattended. Make sure that the children are instructed properly in the use of the product and in the controlled execution of the different exercise. Misuse of the product could result in serious injury

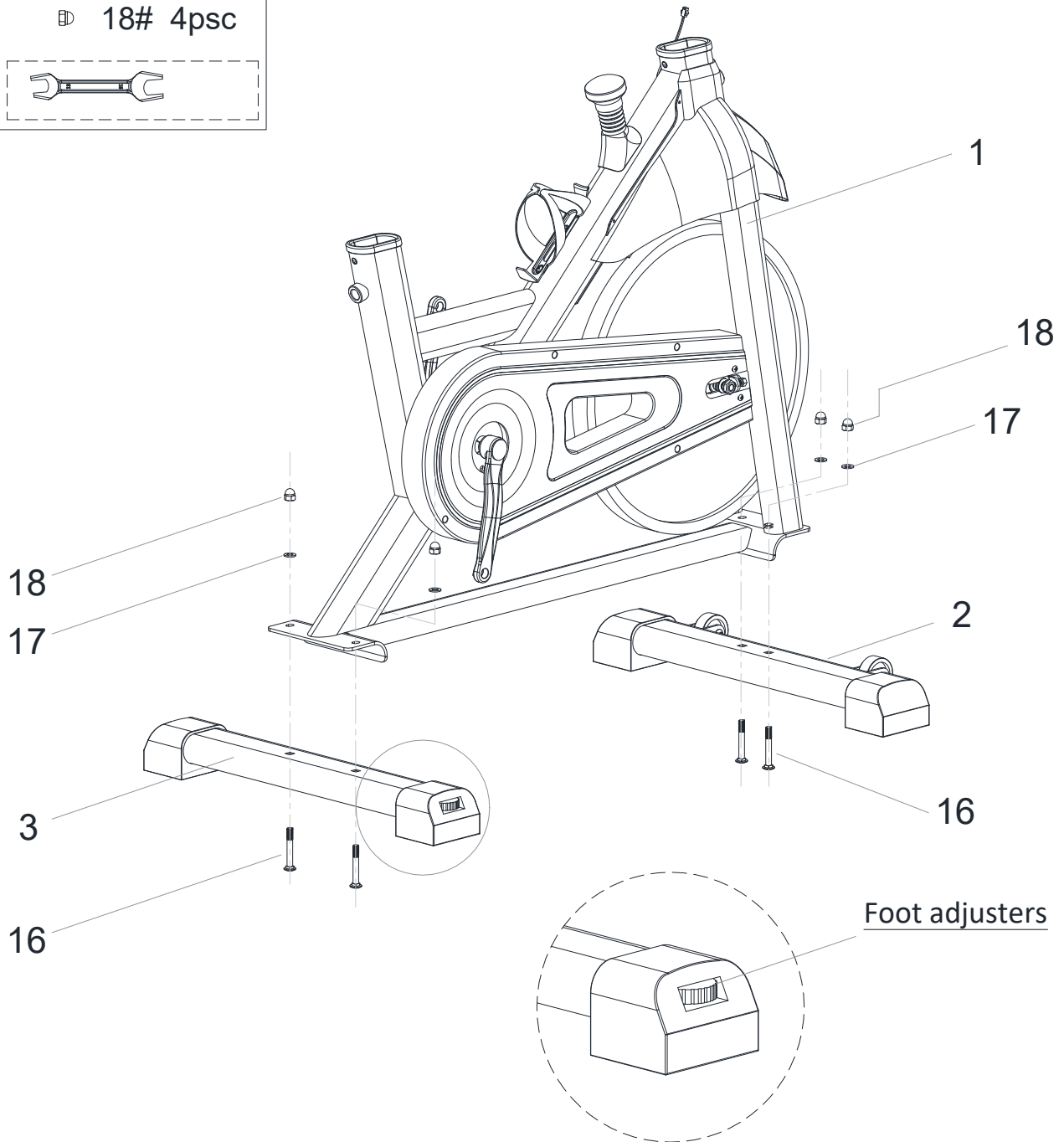
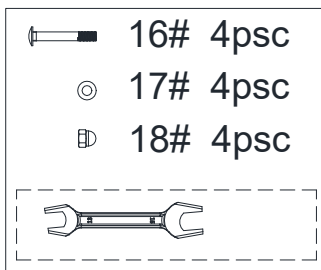
## PRODUCT SPECIFICATIONS

---

User Weight Capacity:	120 KG
Dimensions:	114 x 52 x 121 CM
Shipping Weight:	31 KG
Net Weight:	27 KG
Power Requirements	1.5V AAA (2PCS)

# ASSEMBLY INSTRUCTIONS

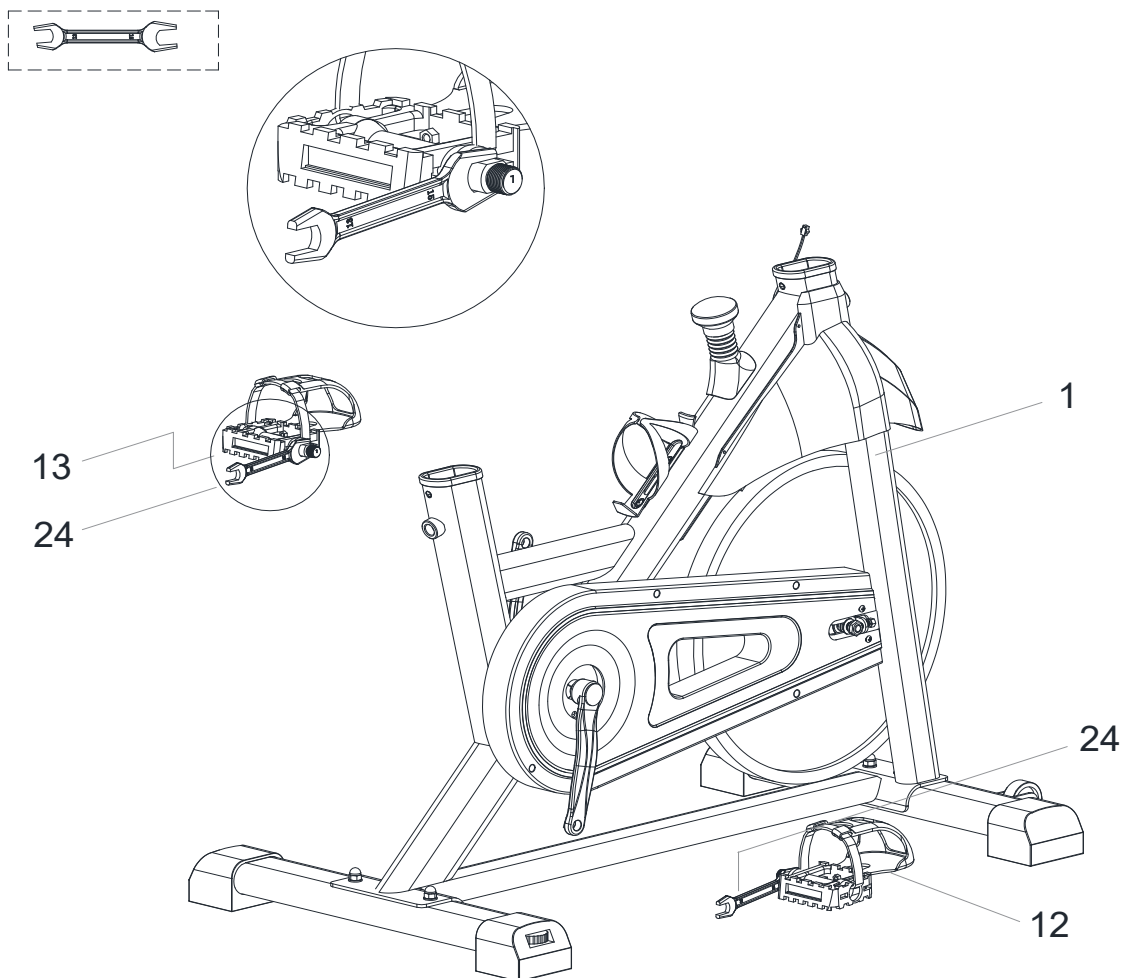
## STEP 1



Secure both the Front Stabiliser (2) and Rear Stabiliser (3) to the Main Frame (1) using 2 Carriage Bolts (16), 2 Washers (18) and 2 Nuts (17), tighten as shown in the above diagram.

# ASSEMBLY INSTRUCTIONS

## STEP 2



Thread the Left Pedal (13) counterclockwise into the left Crank Arm (24).  
Thread the Right Pedal (12) clockwise into the right Crank Arm (24).

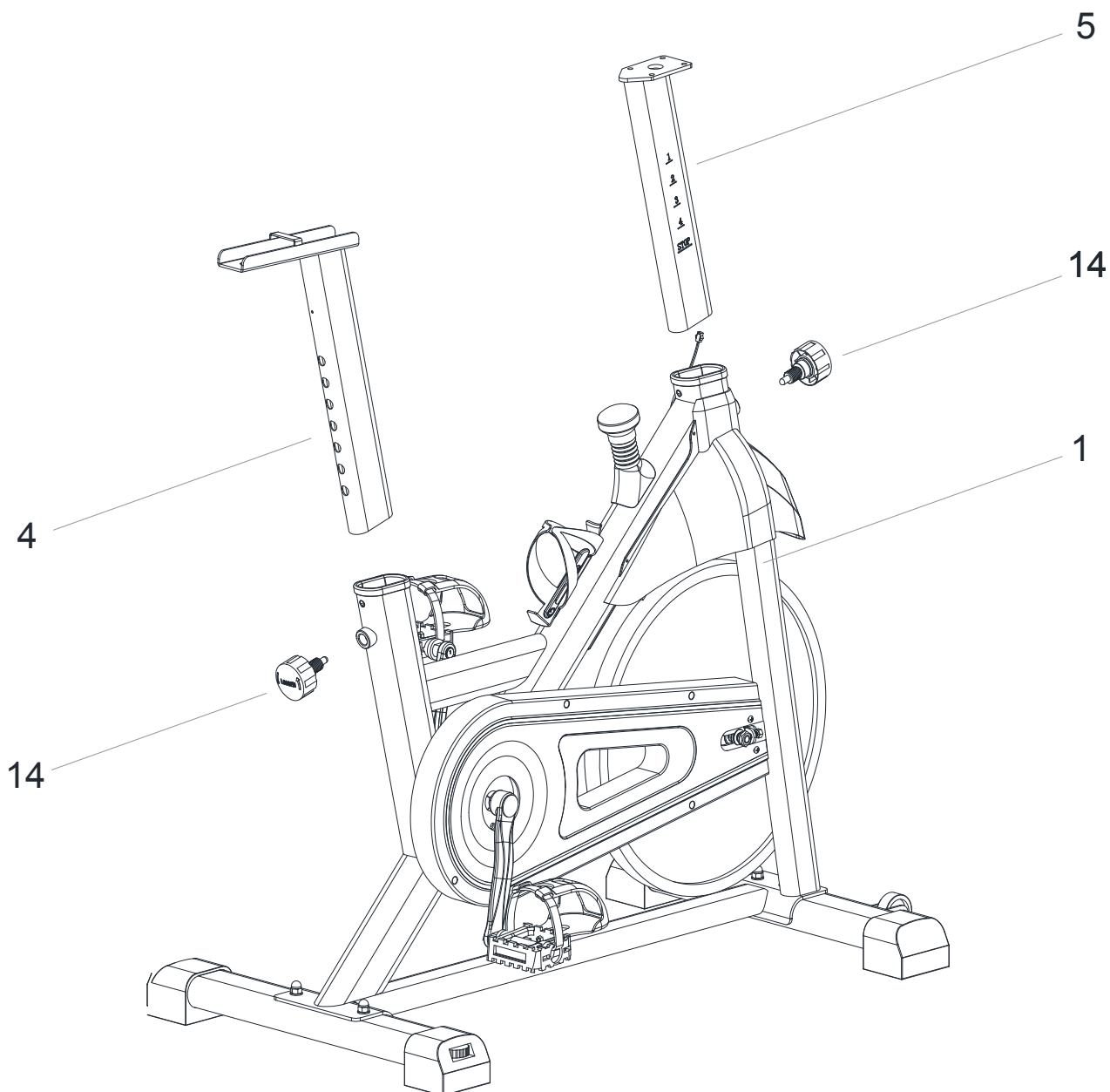
**NOTE:** Right foot installation is clockwise, Left foot installation is anti-clockwise.

It is a good idea to apply grease to the threads before attaching them to the crank, this will assure that they can be removed in the future.

Tighten both Pedals as firmly as possible. After using the Exercise Bike for one week, retighten the Pedals. Please check pedals regularly and retighten for ultimate performance.

# ASSEMBLY INSTRUCTIONS

## STEP 3



Place the Seat post (4) into the Main Frame (1), fix it with Adjusting Knob (14).

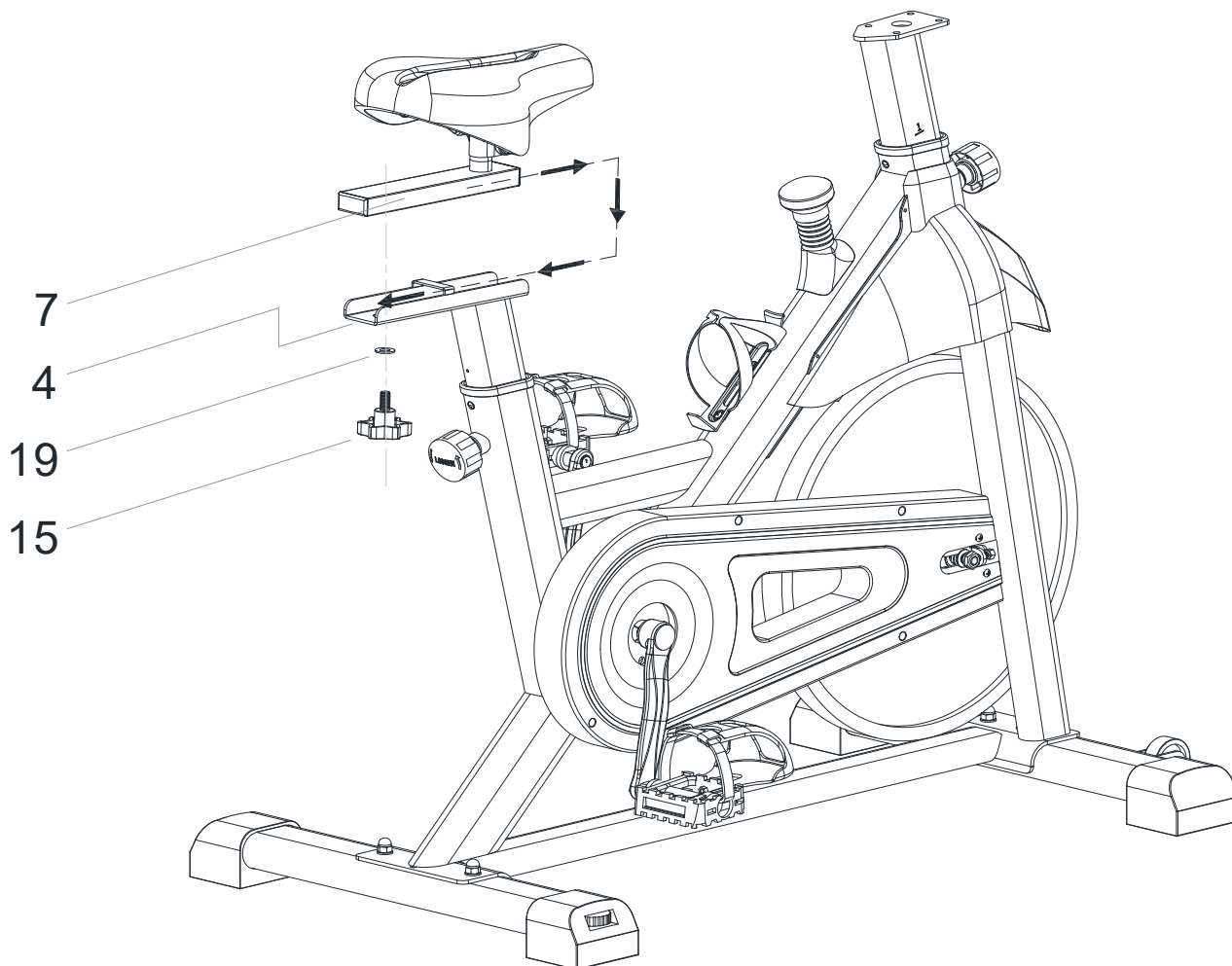
Insert the Handle post (5) into the Main Frame (1). Use the Adjusting Knob (14) to connect it to the main frame.

The adjusting knobs (14) are installed in the front and back of the Main frame (1) respectively. Note that no tightening is needed at this time.

# ASSEMBLY INSTRUCTIONS

---

## STEP 4



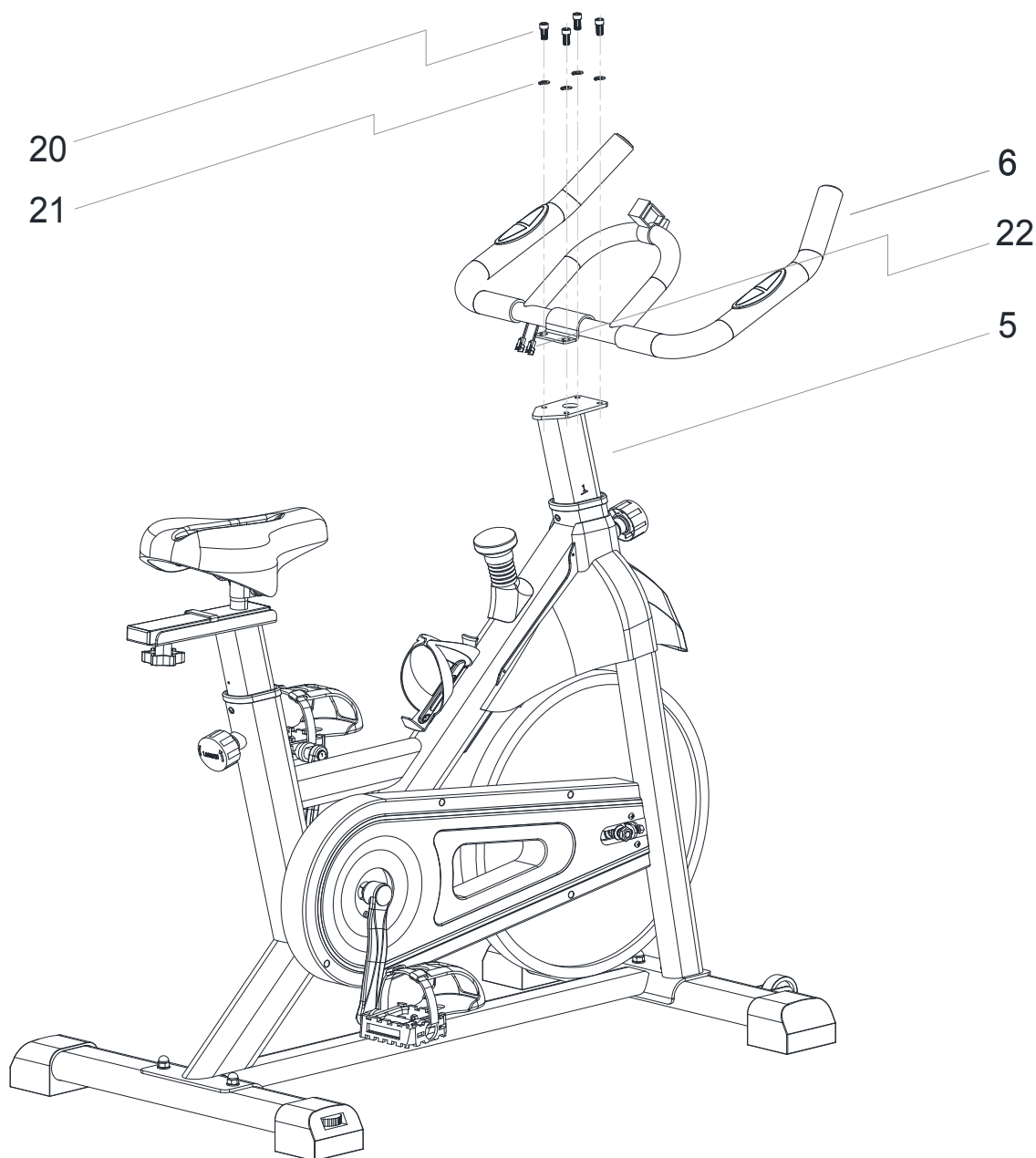
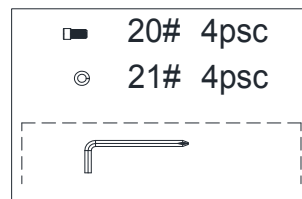
Attach the Seat Slider (7) to the Seat Post (4) with a flat washer (19) and a lock knob (15).

Note: loose the lock knob (15) to adjust the position of the seat slider (7) back and forth to the corresponding position. The lock knob (15) needs to be tightened before use.



# ASSEMBLY INSTRUCTIONS

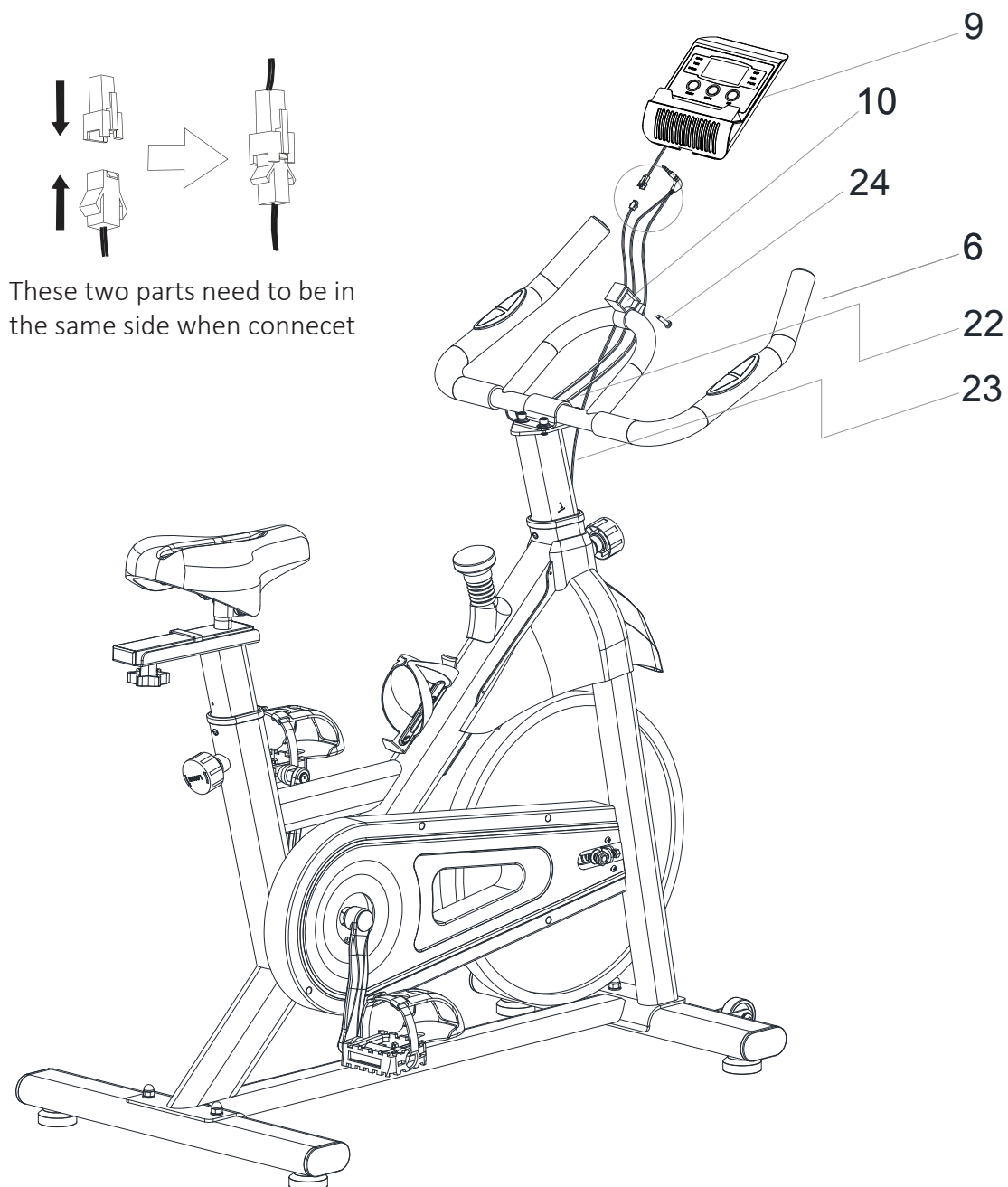
## STEP 5



Attach the Handlebar (6) to the Handle post (5) with the Spring washer (21) and the round head bolt (20).

# ASSEMBLY INSTRUCTIONS

## STEP 6



These two parts need to be in the same side when connect

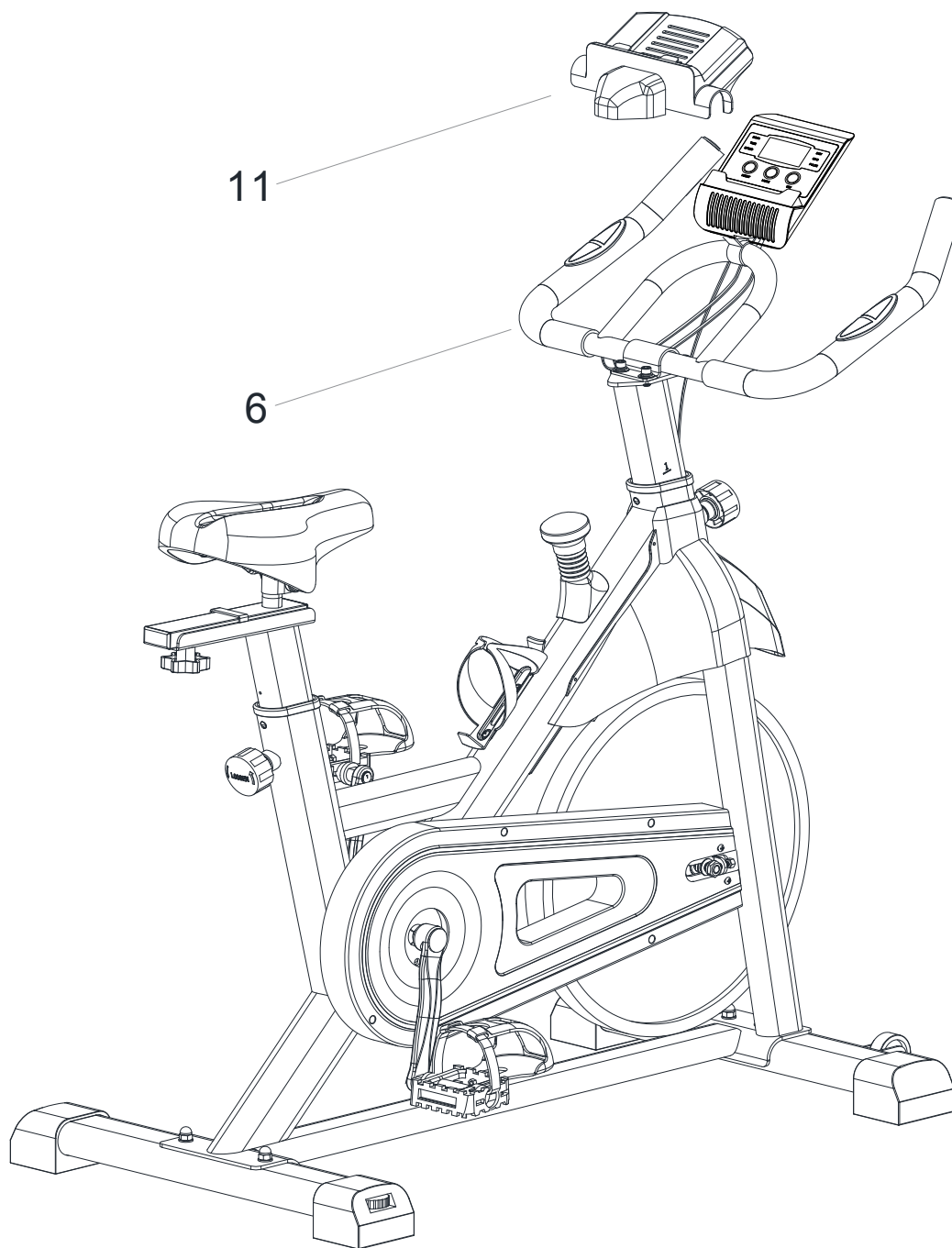
The Monitor Holder (10) is attached to the Handlebar (6) with the Self tapping screw (24).

Attach the Monitor (9) on the Monitor Holder (10). Insert the Pulse wire (22) and the Signal wire (23) into the back of the Monitor (9).

# ASSEMBLY INSTRUCTIONS

---

## STEP 7



Connect the Pad holder (11) on the Handle.

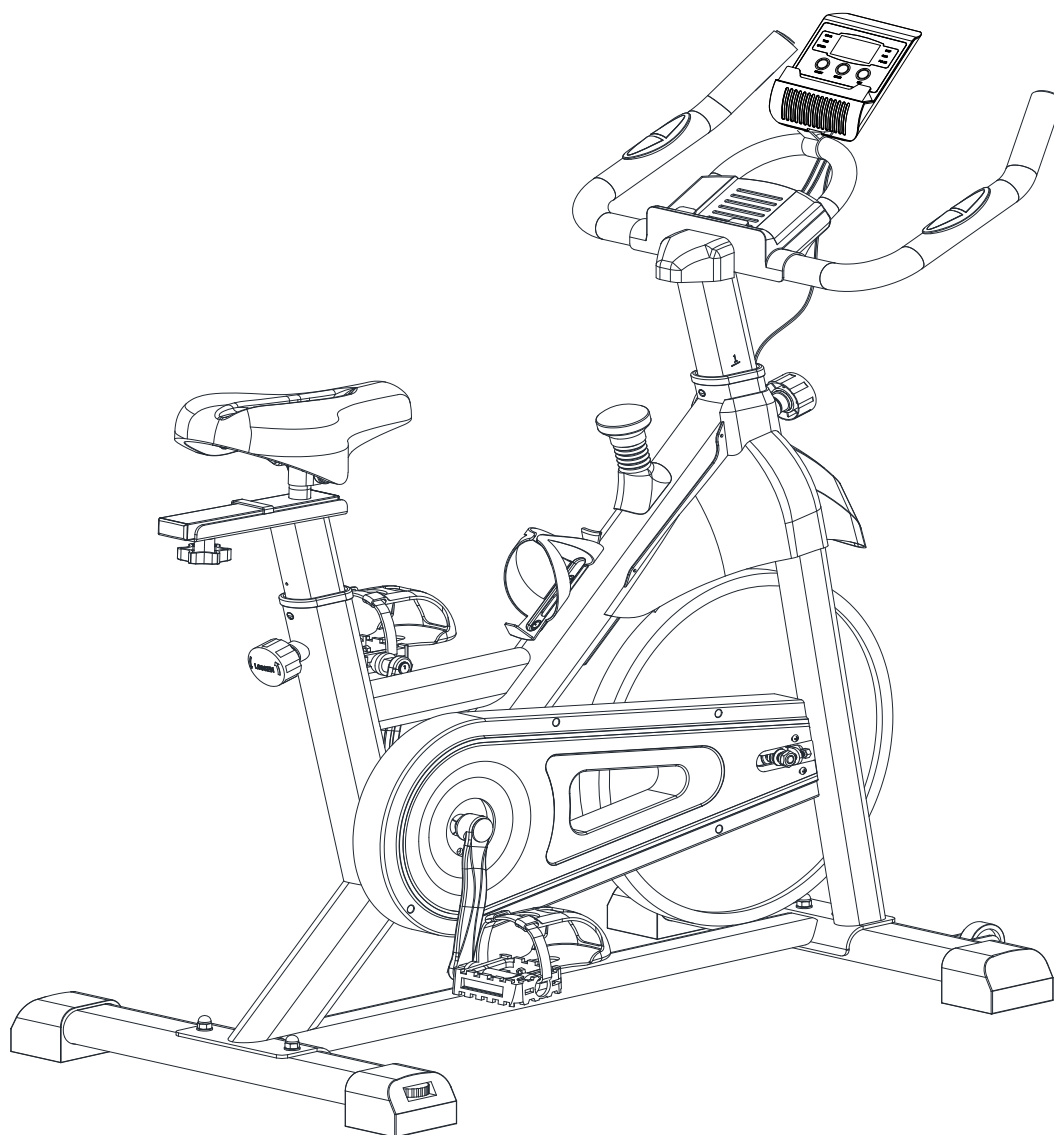
Note: Check that each part is tight and firm and the machine is stable with the ground.

## CONGRATULATIONS

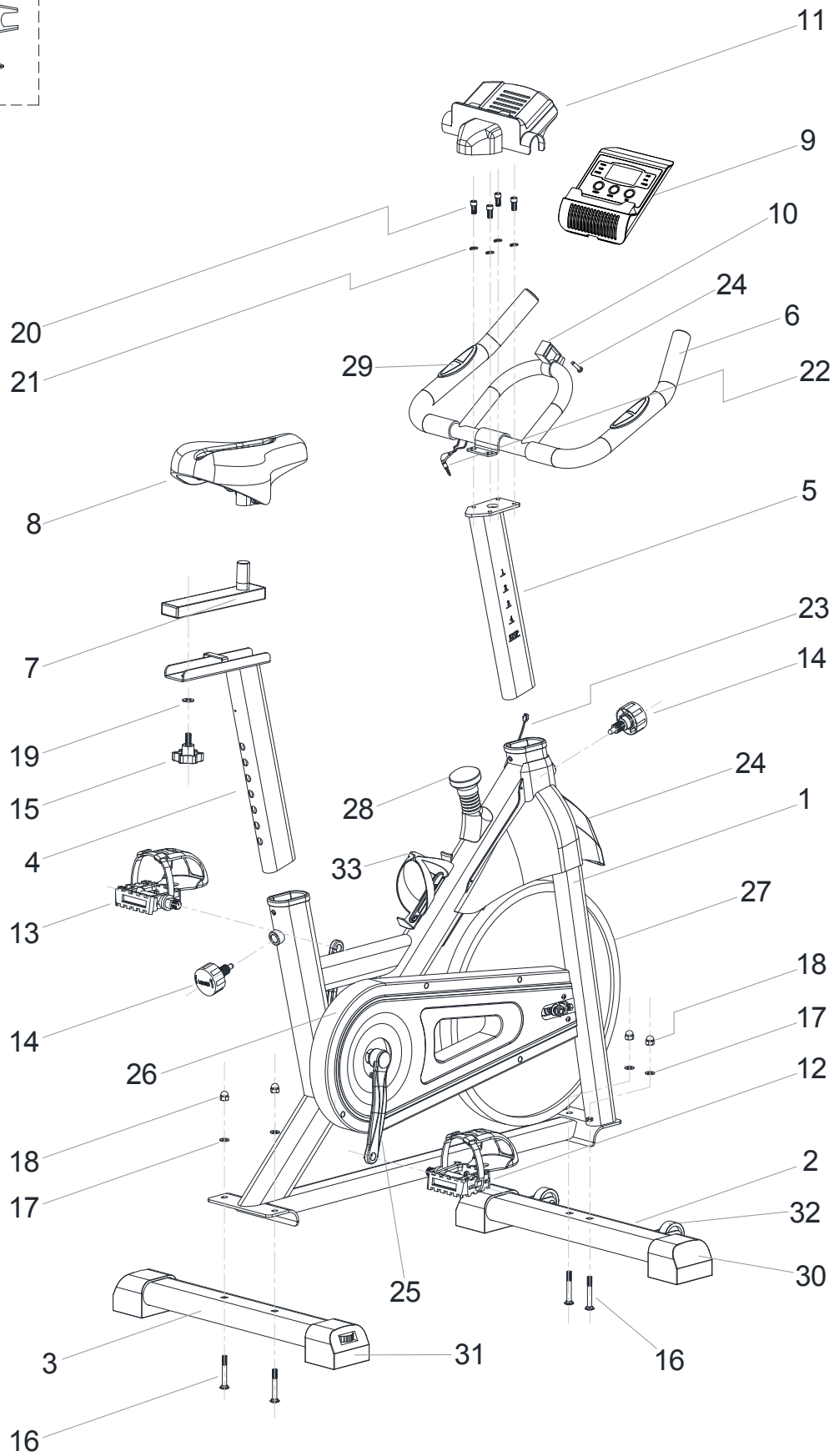
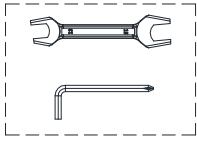
Assembly of your **Elite Volt Spin bike** is now complete! Be sure to fully inspect your machine before using it for the first time.

# ⚠ WARNING

Failure to visually check and test and tech the assembly before use can cause damage to the **Elite Volt Spin bike** and serious injury to users and bystanders and can also compromise the effectiveness of your exercise program.



# EXPLODED DIAGRAM



# CONSOLE USER INSTRUCTIONS

---

## KEY GUIDE

**MODE:** Select the function, press and hold for 3 seconds to reset the value to zero (without ODO).

**SET:** Set value of the selected functions  
TIME-SPEED-DISTANCE-ODO-CALORIE-PULSE.

**RESET:** Press this button to clear current function value.

### SPECIFICATIONS:

TIME ----- 0:00~99:59 MIN

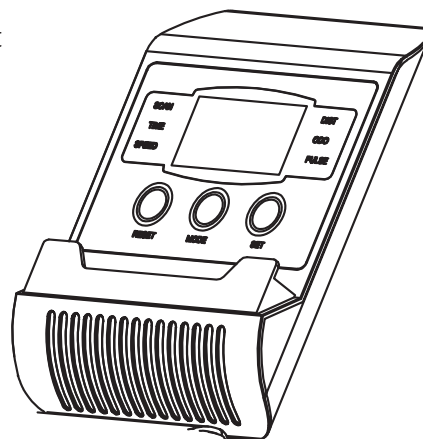
SPEED ----- 0.0~999.9

DISTANCE ---- 0.00~9999 ML (KM)

CALORIE ---- 0.0~9999 KCAL

TOTAL DIST -- 0.00~9999 ML (KM)

PULSE ----- 40~240 BPM



### FUNCTIONS:

- 1. TIME:** Press the MODE key until pointer lock into TIME. The time will be displayed when starting exercise.
- 2. SPEED:** Press the MODE key until pointer lock into SPEED. The current speed will be displayed when starting exercise.
- 3. DISTANCE:** Press the MODE key until pointer lock into DISTANCE . The distance of each workout will be displayed when starting exercise.
- 4. CALORIE:** Press the MODE key until pointer lock into CALORIE. The calories will be displayed when starting exercise.
- 5. ODO:** The total distance this function refers to is from battery capacity period of runs.
- 6. PULSE:** Press the MODE key until the pointer lock into PULSE. Place your hands in the sensors on the handlebar for about 3 seconds.
- 7. SCAN:** Display changes accordingly to the next diagram, every 6 seconds. Automatically display the functions: TIME - SPEED - DISTANCE - CALORIE - ODO - PULSE - SCAN.

**NOTE:** After 4-5 minutes the LCD display will automatically turn off if not in use. And it will automatically turn on when in use.

If the monitor displays improper, replace the batteries for a best resolution. (2pcs of 1.5v AAA batteries)

## SETTING YOUR SPIN BIKE UP



*Saddle Height Adjustment*

Having your bike seat adjusted to the right height is essential for a comfortable ride, efficient pedalling and avoiding injury. There are 2 adjustments located on the seat post. The first is a vertical height adjustment, the second is for horizontal seat position. Although there are many methods and opinions on the optimal saddle setting, the following is a quick and easy method to get started. Further adjustments can be made afterwards to optimise your position and comfort.

### **Saddle Height Adjustment**

- Place your heels on the bike pedals and pedal backward. Your legs should be fully extended with your knees straight. If your hips rock from side to side while pedalling backward, the seat is too high.
- Place the ball of your foot on the pedal. There should now be a slight bend in your knee when the pedal is at its lowest point. This is a good starting point.



*Adjusting the Seat Fore-and-Aft Position*

### **Adjusting the Seat Fore-and-Aft Position**

Once you've adjusted seat height, it's time to find the correct fore-and-aft position of the saddle. This determines where you sit in relationship to the crank set (where the pedals are attached), which helps decide how comfortable and efficient you'll be when riding. This also minimises stress to the knee by being in a more neutral position.

If you want to try to check the fore-and-aft setting at home, you will need a second person and a plumb line (a length of string with a nut or washer tied on the end will work fine).

Whilst sitting on the seat saddle bring your right crank arm around and have your helper stop the crank when the pedal is at three o'clock or parallel with the floor. Note that for this measurement to be accurate, your shoes must be correctly positioned on the pedals (the balls of your feet should be over the pedal axles).



Holding this position, have your helper place the end of the plumb line (line of string with nut/washer) on the front of your leg, at a point just below the bony protrusion that's beneath the kneecap.

The plumb line's weight should hang over your shoe. Check again to ensure that the crank-arm and pedal are level. By looking at the plumb line the knee should be in alignment with the centre spindle or axle of the pedal. Adjust the saddle to the correct position then tighten the locking pin.

### **Handle Bar Adjustment**

The positioning of the handlebars can be dependent on the bike design and adjustability available.

To minimise back strain, adjust the height to a level that is comfortable for you. We recommend the handlebars be positioned at the same height level as the bike seat as a good starting point.

**Please note:** The spin bikes shown in the 'setting up your spin bike' section are for demonstration purposes only and your spin bike may vary in aesthetics and features.



## CARE AND MAINTENANCE

---

### **WARNING**

Before cleaning or carrying out any maintenance on your spin bike, ensure the power is turned off and the power cord removed from the plug socket.

Prolong the life of your spin bike by performing periodic maintenance checks. Not only does this ensure your machine is in full working order to ensure they continue to run smoothly and reliably, but it will save you service costs in the long run.

- General cleaning of the unit after use will protect the bikes powder-coated framework and prevent unnecessary corrosion stains and damage to the structural components from sweat and perspiration.
- Check all nuts and bolts securing the framework, seat and handlebar assemblies are tight.
- Ensure the pedals are securely attached to the crank arms. When tightening pay attention to the reverse thread (tightening Anti-clockwise) on the left hand pedal assembly, when sitting on the bike. Be careful not to strip or force the pedal thread when tightening.

### **Friction Brake Pad System**

Where a felt-type brake pad system is used, periodically lubricate the pad with a silicone based spray to prolong it's service life. Do NOT use WD40 or similar lubricants. Ensure the contact surface on the flywheel is kept clean and free of debris and sweat.

If a leather material brake pad is used, no lubrication is required.

**NOTE: DO NOT ATTEMPT TO OVERTIGHTEN THE TENSION DIAL ADJUSTMENT, OVER TIGHTENING MAY CAUSE DAMAGE TO THE SHAFT THREAD.**

### **Magnetic Braking System**

If you have a magnetic spin cycle, there is normally no adjustment necessary as they use a low maintenance non-friction resistance system. Periodically check the movement of the magnetic brake via the cable level or tension dial to ensure it does not come into contact with the rotating flywheel at any time. The flywheel surface should be kept clean and free of dust debris and sweat.

### **Chain Driven**

The chain will require periodic lubrication of the chain to maintain a smooth and quiet motion. The chain guard may need to be removed to perform this procedure. You may wish to put a drop sheet or similar under your bike to protect your floor coverings.

Before lubricating the chain, use an old rag to remove any old oil or residue from the chain. Lightly apply a chain or multipurpose oil to the chain. Secure the chain guard before using your bike.

### **Belt Driven**

Belts do not require lubrication, however through normal wear and tear they may stretch and require forward adjustment of the flywheel to increase the belt tension if any slippage occurs. The adjustable tension bolts are normally found attached to the flywheel axle. DO NOT over-tighten, only enough to stop any slipping of the belt drive system.

If you require further assistance or advice contact the Elite Fitness Service Department or your nearest Elite Fitness Store.



# LIMITED WARRANTY

---

## Warranty Range

Damage in correct maintenance and normal operations (not factitious factors). Warranty card to the original purchaser, shall not be transferred.

## Warranty Time

### HOME USE

- 10 Year Frame
- 1 Year Parts and Labour

*The following conditions are not under warranty range:*

- A) As a result of abuse, neglect, accident, or unauthorized modification;
- B) The damage due to incorrect assembly or adjustment of the machine;

*The Spin bike should not be:*

- A) Plugged into a multi-board plug device. The spin bike requires a dedicated power circuit and should be plugged directly into the wall socket.
- B) Used with an extension cord any longer than 1.5m.

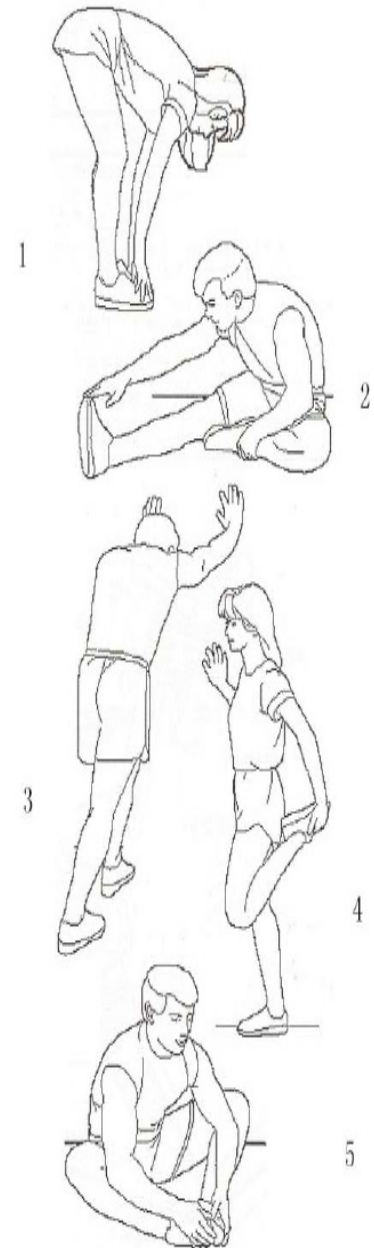
## Repair and Maintenance Service

Please contact our Elite Fitness Service Department at [eliteservice@elitefitness.co.nz](mailto:eliteservice@elitefitness.co.nz) or visit [www.elitefitness.co.nz](http://www.elitefitness.co.nz) for any service related issues or advice on preventative maintenance servicing procedures.

## WARM-UP EXERCISE

Warm up exercise is important in preparing the muscles for activity whilst minimising the risk of injury. You may choose to warm up with a light/brisk walking pace for 5-10 minutes before stopping and performing some simple stretches. (As shown in the pictures below)

- Hamstring Stretch (Standing) Keep your knees slightly bent and slowly lean forward, back and shoulders relaxed, reaching towards your toes. You should feel the tension and slight discomfort in your hamstring muscles. Hold for 15-20 seconds. Repeat 2-3 times.
- Hamstrings Stretches (Seated) Sitting on the floor preferably on a mat, put one leg straight, the other inward and close to the inside of the straight leg. Lean forward from the hips, reaching towards your toes. Hold for 10-15 seconds, and relax. Repeat 3 times for each leg (See picture 2).
- Crus and Feet Tendon Stretches Standing with two hands on the wall or tree, one leg behind. Keeping your legs straight and the heel on the ground, lean forward towards the wall or tree. Hold for 10-15 seconds, and relax. Repeat 3 times for each leg (See picture 3).
- Quadriceps Stretches Keeping your balance with your left hand holding onto a wall or stationery fixture, grasp your right foot with your right hand and stretch your right heel toward your buttocks slowly, until you feel the stretch in the front of your thigh. Hold for 10-15 seconds, and relax. Repeat 3 times for each leg (See picture 4).
- Sartorius (Inner Muscles of the Thigh) Muscle
- Stretches Sitting down with the soles of your feet or shoes together and your knees positioned outward. Pull your feet towards your groin until you can feel the stretch. Hold for 10-15 seconds, and relax. Repeat 3 times (See picture 5).



# TRAINING STAGES

		Exercise Zone									
		AGE									
Beats Per Minute	100%	200	195	190	185	180	175	170	165	155	150
	<b>VO2 Max (Maximum Effort)</b>										
	90%	180	176	171	167	162	158	153	149	140	135
	<b>Anaerobic (Hardcore Training)</b>										
	80%	160	156	152	148	144	140	136	132	124	120
	<b>Aerobic (Cardio Training/Endurance)</b>										
	70%	140	137	133	130	126	123	119	116	109	105
	<b>Weight Control (Fitness/Fat Burn)</b>										
	60%	120	117	114	111	108	105	102	99	93	90
	<b>Moderate Activity (Maintenance/Warm up)</b>										
50%	100	98	95	93	90	88	85	83	78	75	

Cardiovascular training plays an important part in maintaining a healthy heart and lung function, so it's no surprise we should be paying attention to how quickly our heart beats during exercise. The chart above outlines a range of heart rate training zones determined by the individual's age and workout goals to ensure you train safely and effectively.

Heart Rate can be measured by using the radial (wrist) or carotid (neck) pulse using your index and middle fingers, counting the beats for 10 seconds and multiplying by 6. Alternatively, the use of a Wireless Telemetry Heart Rate strap and watch will give you an accurate Beats Per Minute (BPM) reading.

$220 - \text{AGE} = \text{TMHR}$  (Theoretical Maximum Heart Rate)

$\text{TMHR} \times 85\% = \text{(Upper Training Limit) bpm}$  (Beats per Minute)

$\text{TMHR} \times 65\% = \text{(Lower Training Limit) bpm}$

Note: Contact heart rate may provide inaccurate readings and is designed only as a guide

Example:  $220 - 39 = 181 \text{ bpm}$

$181 \times 85\% (0.85) = 154 \text{ bpm}$  (Upper Training Limit)

$181 \times 65\% (0.65) = 118 \text{ bpm}$  (Lower Training Limit)

# PARTS LIST

We recommend 2 people assist in assembling this unit. Place all parts of the spin bike in a cleared area and remove the packing materials. Do not dispose of the packing materials until assembly is completed. Before you start installation, inspect and prepare all parts and screws featured in this manual. When you open the carton, you will find the following parts:

Part	Description	Quantity
1	Main Frame	1
2	Front Stabiliser	1
3	Rear Stabiliser	1
4	Seat Post	1
5	Handle Post	1
6	Handlebar	1
7	Seat Slider	1
8	Saddle	1
9	Monitor	1
10	Monitor Holder	1
11	Pad Holder	1
12	Right Pedal	1
13	Left Pedal	1
14	Ajusting Knob (M16)	2
15	Lock Knob (M10)	1
16	Carriage Bolts (M8x53)	4
17	Flat Washer (Φ8.5)	4

Part	Description	Quantity
18	Domed Nut (M8)	4
19	Flat Washer (Φ10.5)	1
20	Button Head Bolt (M8x16)	4
21	Spring Washer (Φ8.5)	4
22	Pulse Wire	1
23	Signal Wire	1
24	Self Tapping Screw	1
25	Crank L/R	1
26	Belt Cover	1
27	Flywheel	1
28	Brake System	1
29	Hand Pulse	2
30	Front End Cap	2
31	Rear End Cap	2
32	Transport Wheel Set	1
33	Bottle Rack	1

Open Wrench 13 -15



Inner Hexagon Spanner 6mm





For more information about our Elite exercise equipment or other brands that we stock for your home, visit [www.elitefitness.co.nz](http://www.elitefitness.co.nz)

Copyright © 2022 Elite Fitness

Elite Fitness, 28 Morrin Road, St. Johns, Auckland, New Zealand  
0800 243 834, [www.elitefitness.co.nz](http://www.elitefitness.co.nz)

Keep up to date with the latest products, competitions and equipment, follow us on our social media sites.



[@EliteFitnessNZ](https://www.instagram.com/EliteFitnessNZ)

[@EliteFitnessTV](https://www.youtube.com/EliteFitnessTV)